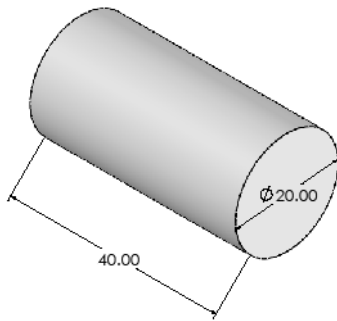
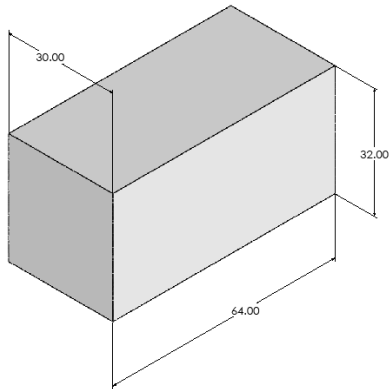


Planet Products CNC Machining Envelope



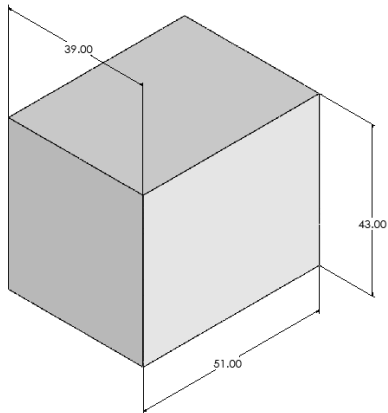
CNC Turning & Mill/Turn Centers

All with Automatic tool changers & probing
3 Mazak Integrex Mill/Turn centers capable of 5 axis machining
2 Mazak CNC lathes with live tooling & bar feed capability



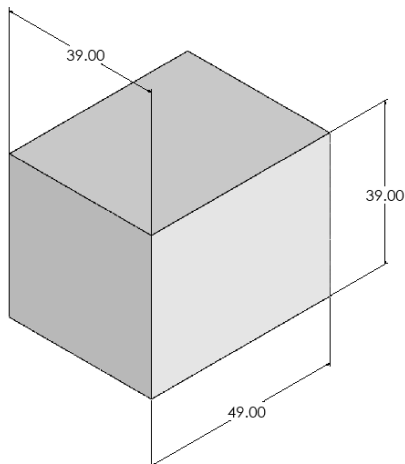
CNC Vertical Machining Centers

3 Centers have 4th axis capability, 1 dual pallet, Automatic Tool Changers, Probing



CNC Horizontal Machining Centers

Automatic tool changers up to 120 tools, CAT 50 Tools, Large machining envelope, Probing



CNC Horizontal Boring Mill

6000 Lb Table Capacity